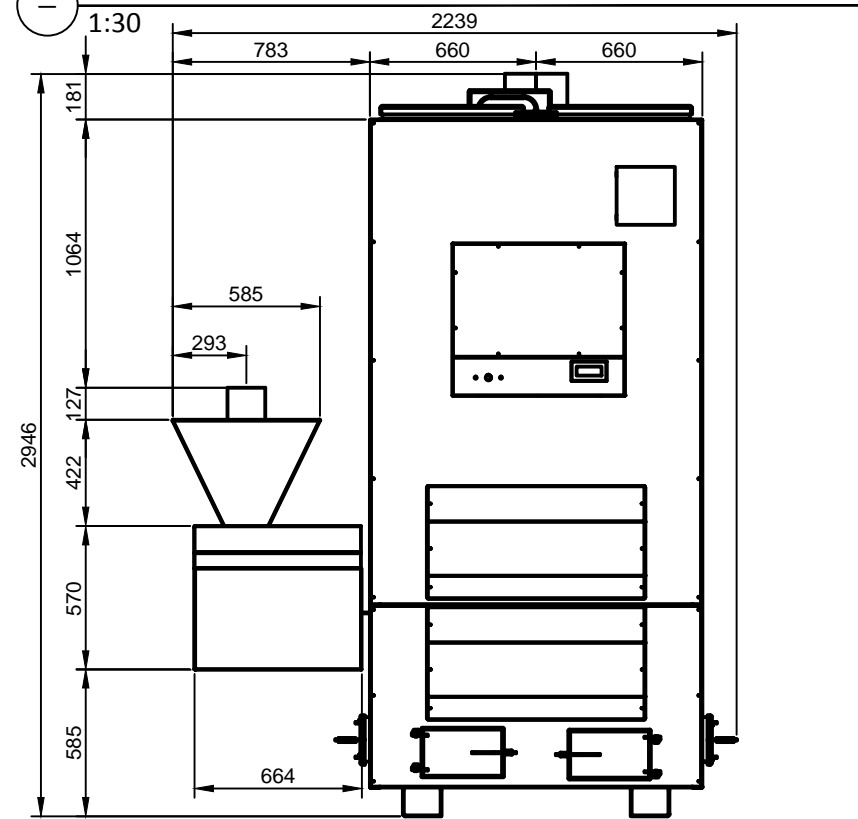
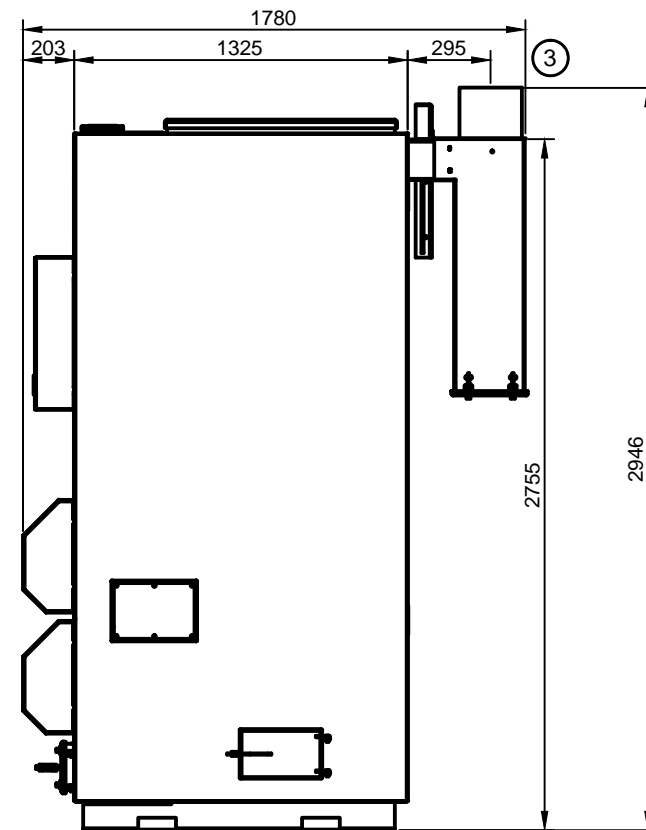


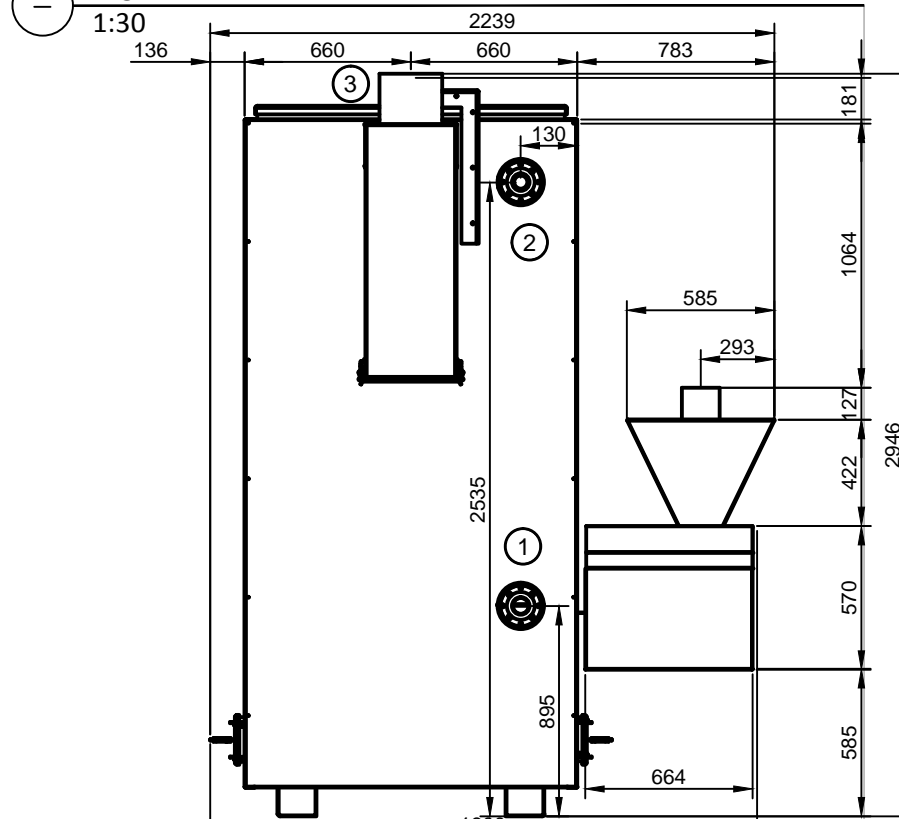
PLAN VIEW  
1:30



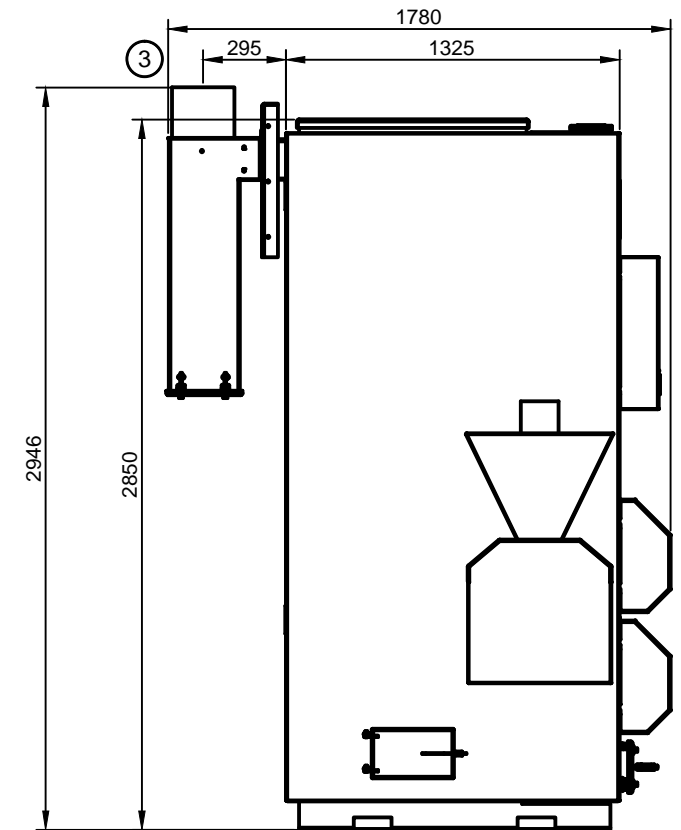
FRONT VIEW  
1:30



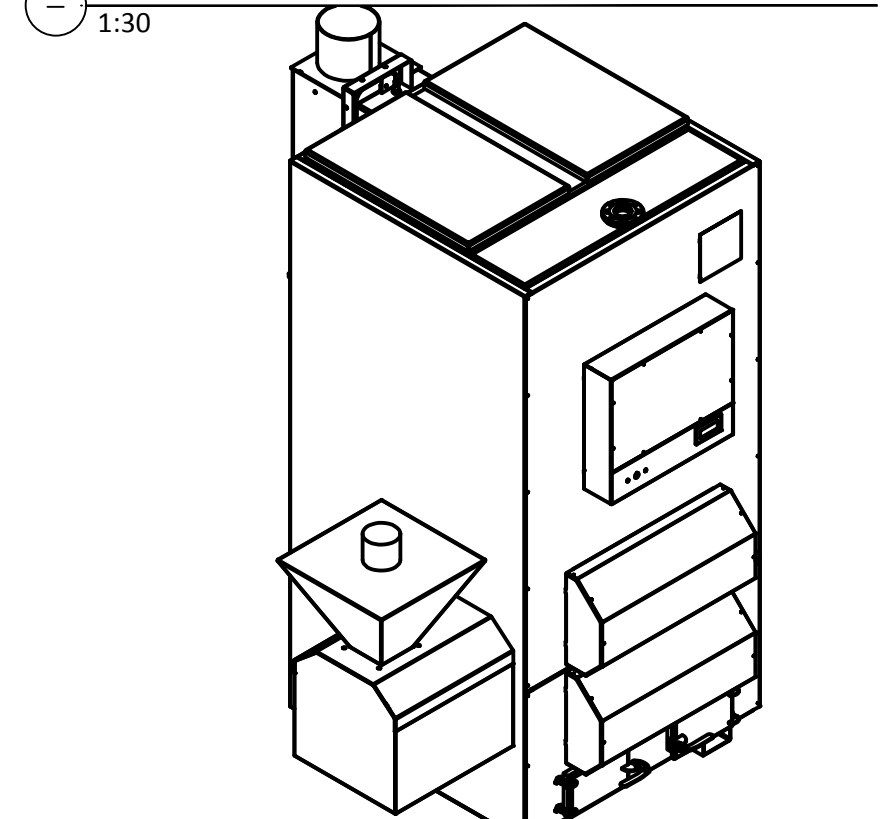
RIGHT VIEW  
1:30



BACK VIEW  
1:30



LEFT VIEW  
1:30



PERSPECTIVE VIEW  
Not to scale

Equipment/Fitting Layout		
No.	Name	Description
1	Return	Return Hot Water Ø62
2	Supply	Supply Hot Water Ø52
3	Flue	Ø305
4		
5		
6		

**Notes:**

Nominal power:	300	kW
Operational temp.:	70-90	°C
Efficiency factor of the heating system:	80-90	%
Operating pressure of the heating system:	3	bar
Diameter of connection pipes:	50	Dn
Size of the flue pipe for the boiler:	500	Ø
Weight of the boiler (net):	1450	kg
Weight of the pellet reservoir (net):	50	kg
El. capacity (max):	3.5	kW
Voltage of the electricity connection:	380	V
Average theoretical consumption of pellets per day:	0.01x1x24	kg/m <sup>2</sup> /h

**Manufactured by:**



"GRANDEG" SIA  
Valdemara street 99a, Ainazi,  
LV- 4035, Latvia  
info@grandeg.lv  
www.grandeg.lv  
SWIFT: HABALV22  
Account: LV91HABA0001408034290

Equipment: BOILER	Sheet no: TURBO-300_001
----------------------	----------------------------

System: MECHANICAL	Scale: 1:30
-----------------------	----------------

Module Type-No:  GD-TURBO-300
-------------------------------------