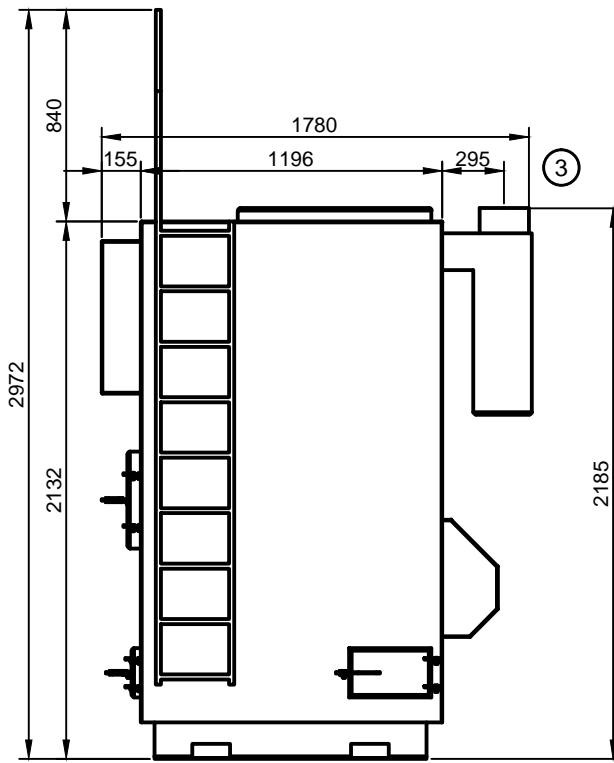
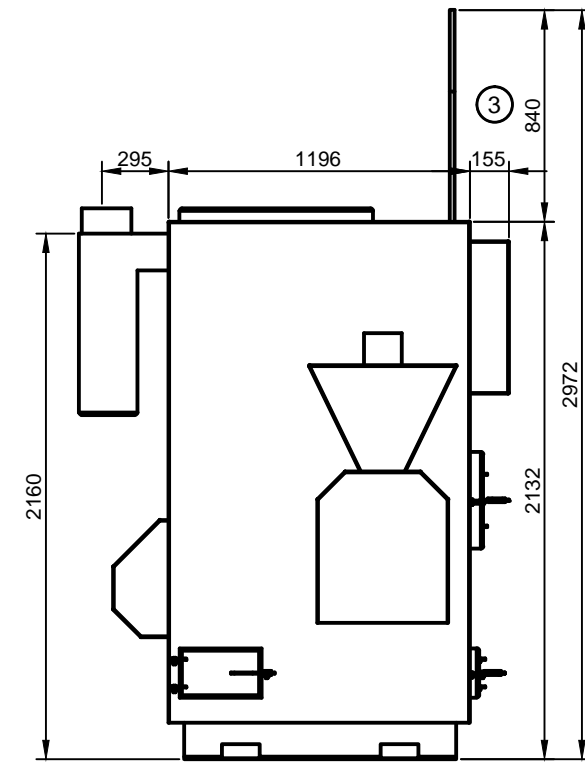


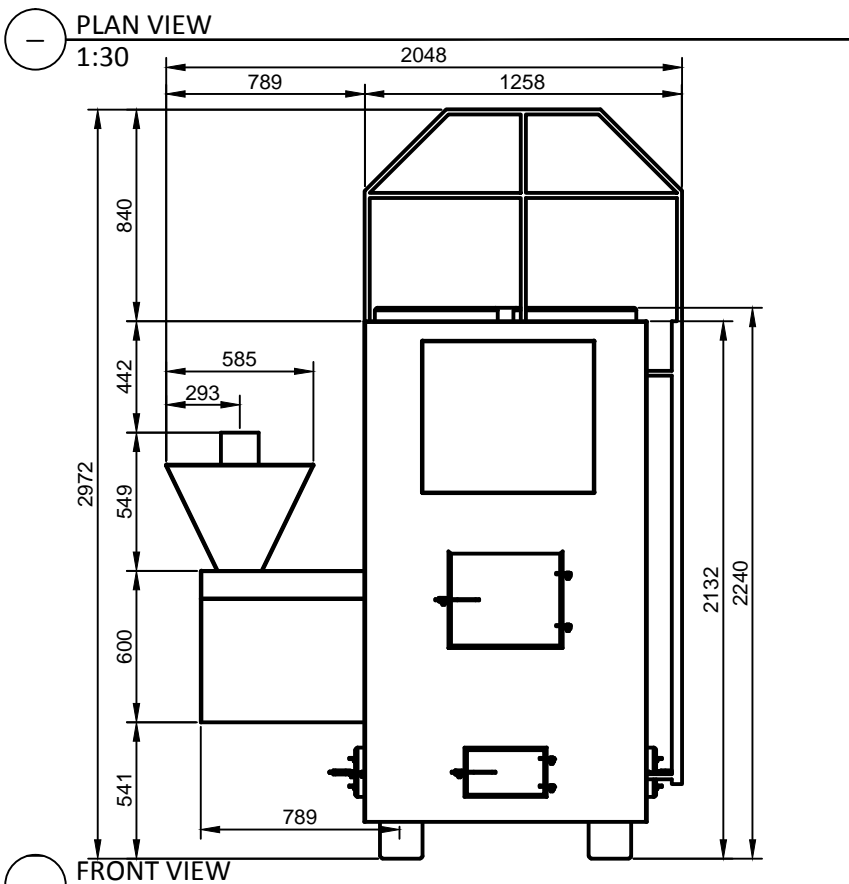
PLAN VIEW
1:30



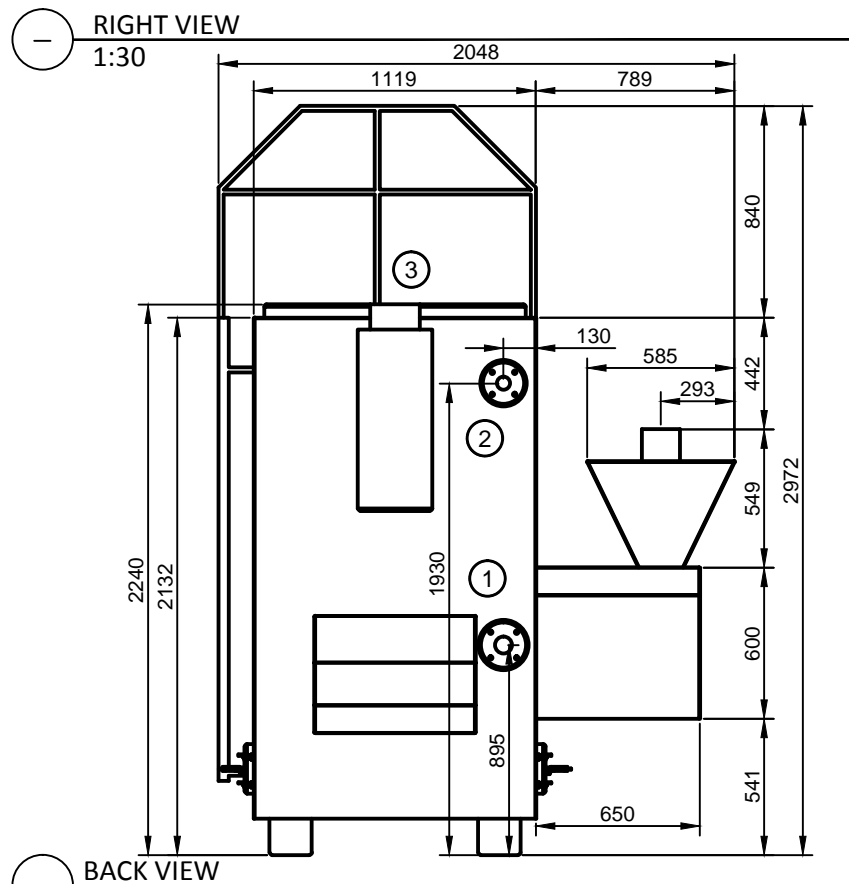
RIGHT VIEW
1:30



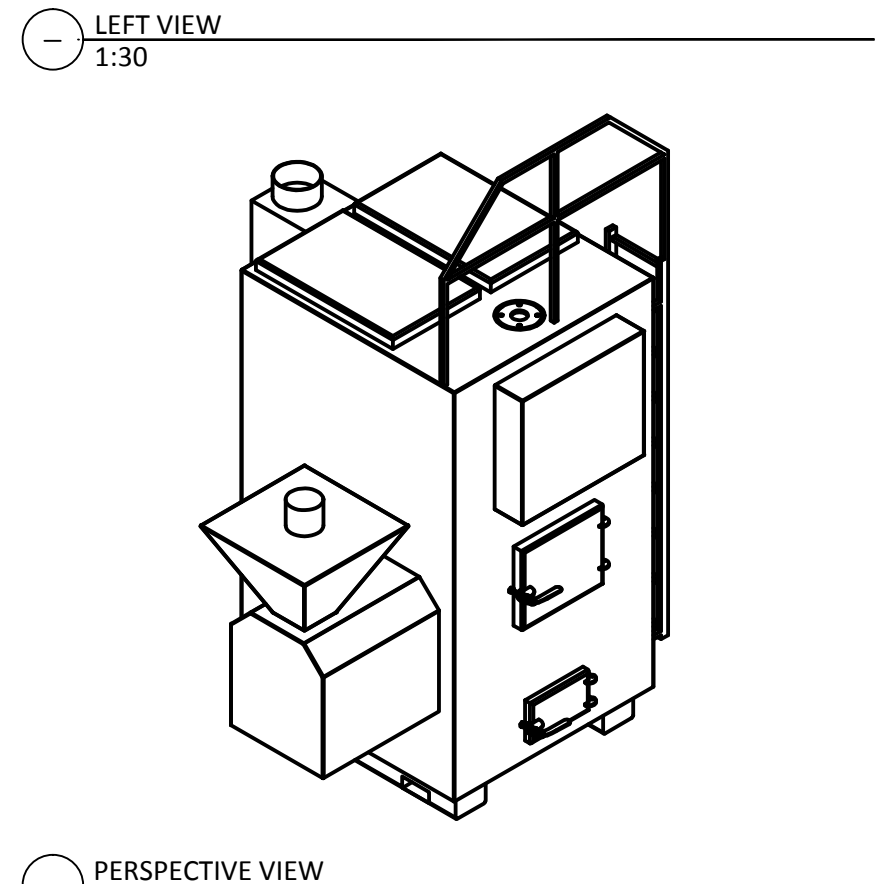
LEFT VIEW
1:30



FRONT VIEW
1:30



BACK VIEW
1:30



PERSPECTIVE VIEW
Not to scale

Equipment/Fitting Layout		
No.	Name	Description
1	Return	Return Hot Water Ø68
2	Supply	Supply Hot Water Ø52
3	Flue	Ø305
4		
5		
6		

Notes:		
Nominal power:	200	kW
Operational temp.:	70-90	C°
Efficiency factor of the heating system:	80-90	%
Operating pressure of the heating system:	3	bar
Diameter of connection pipes:	40	Dn
Size of the flue pipe for the boiler:	250	Ø
Weight of the boiler (net):	1150	kg
Weight of the pellet reservoir (net):	50	kg
El. capacity (max):	3.5	kW
Voltage of the electricity connection:	380	V
Average theoretical consumption of pellets per day:	0.01x1x24	kg/m²/h

Manufactured by:

 "GRANDEG" SIA
 Valdemara street 99a, Ainazi,
 LV- 4035, Latvia
info@grandeg.lv
www.grandeg.lv
 SWIFT: HABALV22
 Account: LV91HABA0001408034290

Equipment: BOILER	Sheet no: TURBO-200_001
System: MECHANICAL	Scale: 1:30
Module Type-No: GD-TURBO-200	