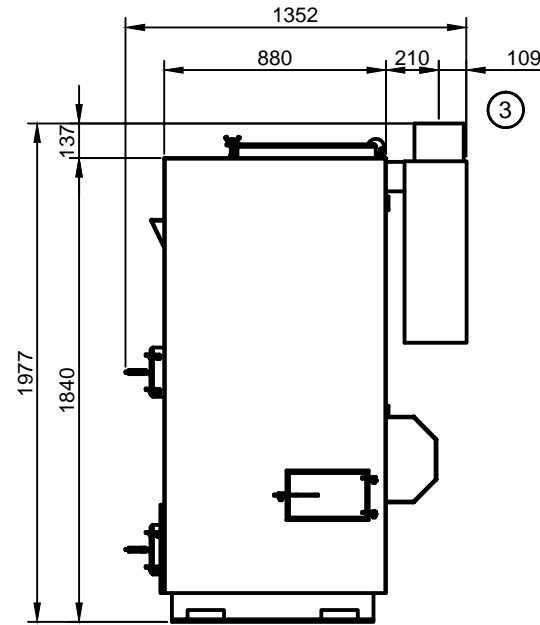
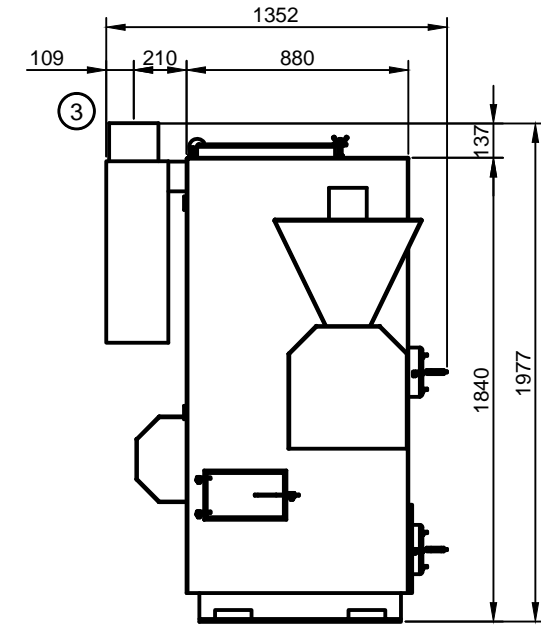


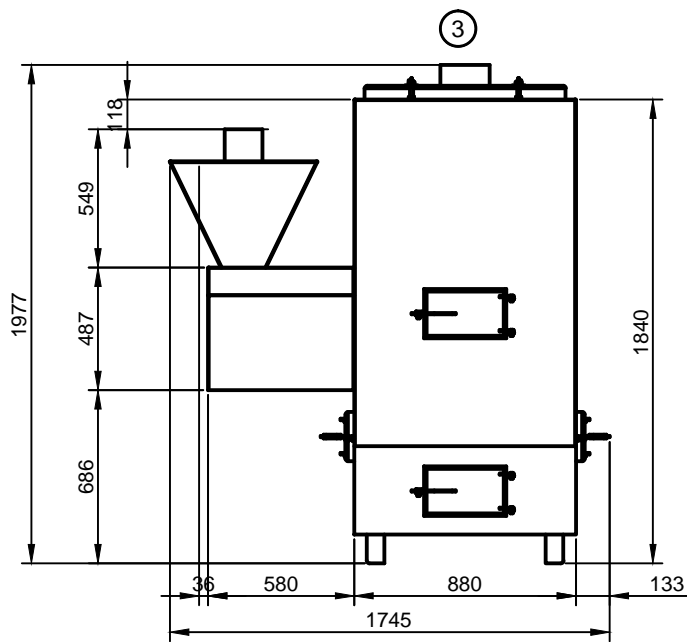
PLAN VIEW  
1:30



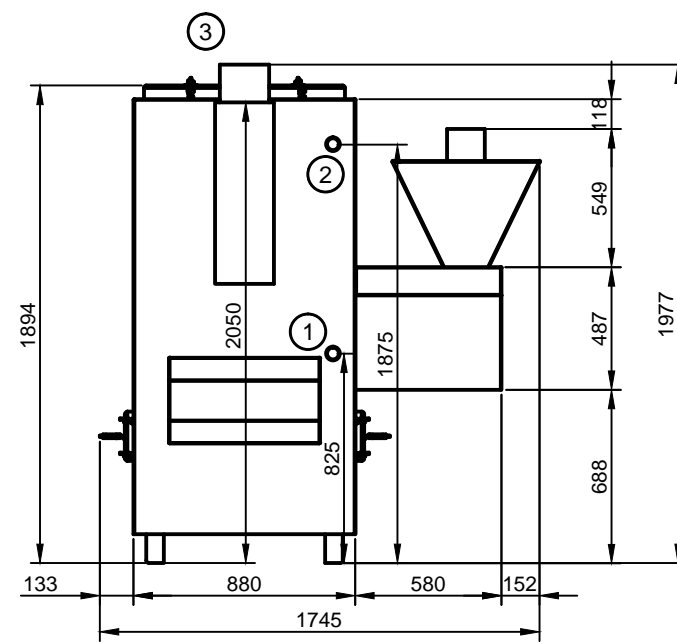
RIGHT VIEW  
1:30



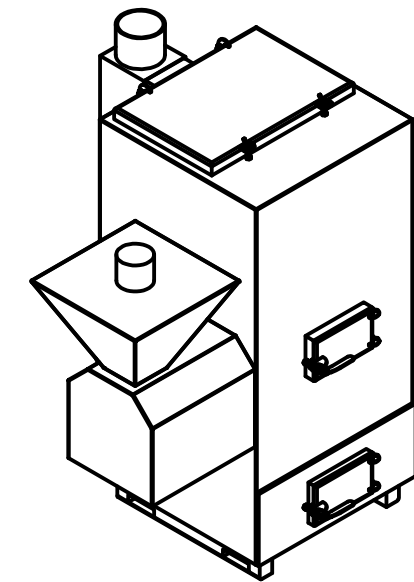
LEFT VIEW  
1:30



FRONT VIEW  
1:30



BACK VIEW  
1:30



PERSPECTIVE VIEW  
Not to scale

Equipment/Fitting Layout		
No.	Name	Description
1	Return	Return Hot Water Ø46
2	Supply	Supply Hot Water Ø46
3	Flue	Ø200
4		
5		
6		

**Notes:**

Nominal power:	100	kW
Operational temp.:	70-90	C°
Efficiency factor of the heating system:	80-90	%
Operating pressure of the heating system:	3	bar
Diameter of connection pipes:	40	Dn
Size of the flue pipe for the boiler:	200	Ø
Weight of the boiler (net):	800	kg
Weight of the pellet reservoir (net):	50	kg
El. capacity (max):	2.0	kW
Voltage of the electricity connection:	380	V
Average theoretical consumption of pellets per day:	0.01x1x24	kg/m²/h

Manufactured by:  
  
 "GRANDEG" SIA  
 Valdemara street 99a, Ainazi,  
 LV- 4035, Latvia  
[info@grandeg.lv](mailto:info@grandeg.lv)  
[www.grandeg.lv](http://www.grandeg.lv)  
 SWIFT: HABALV22  
 Account: LV91HABA0001408034290

Equipment: BOILER	Sheet no: TURBO-100_001
System: MECHANICAL	Scale: 1:30
Module Type-No:  GD-TURBO-100	