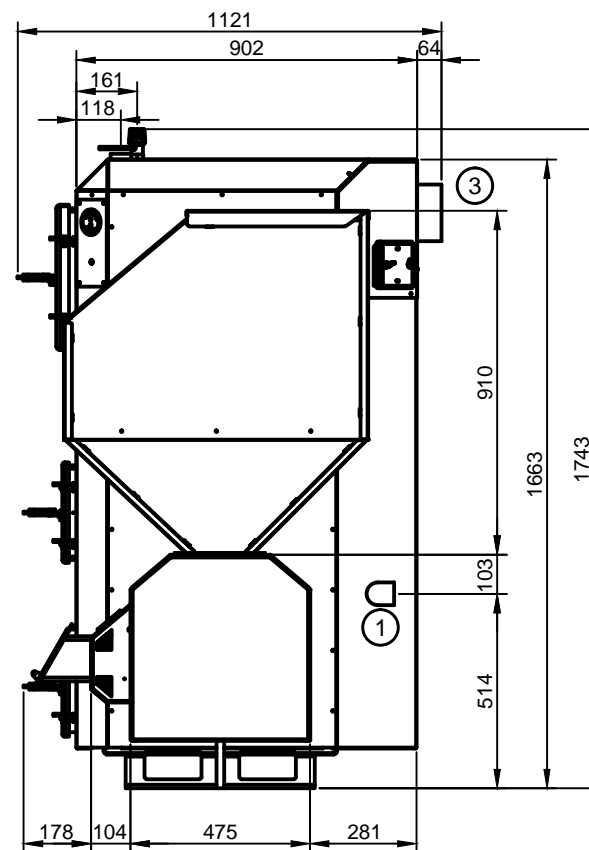
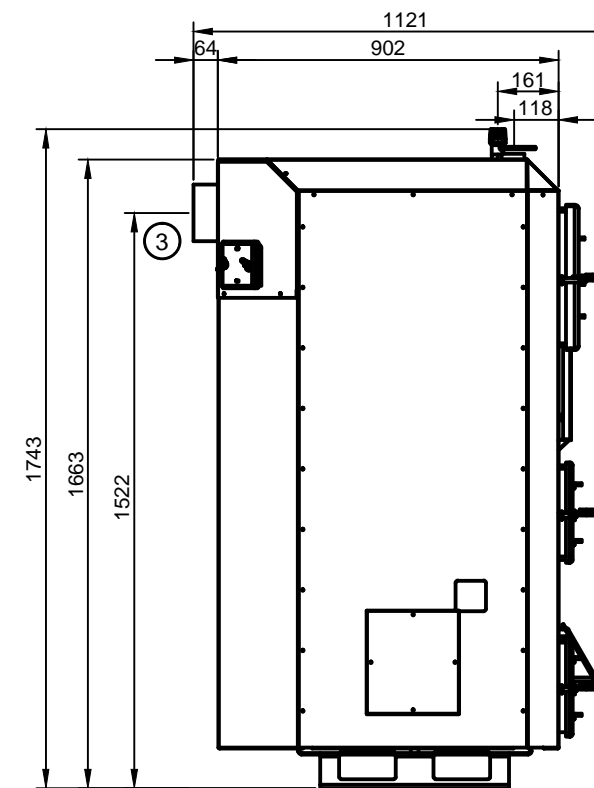


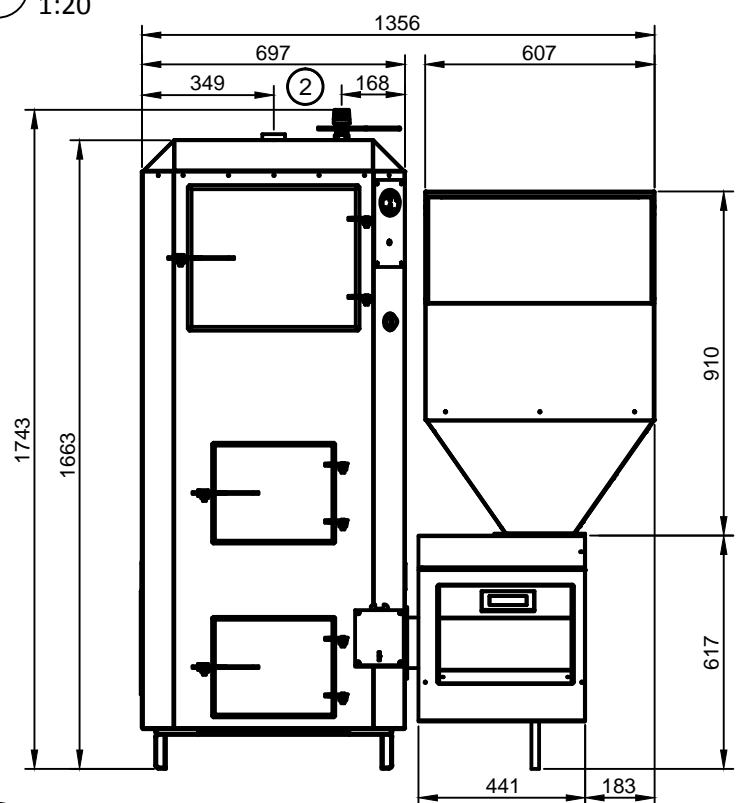
PLAN VIEW
1:20



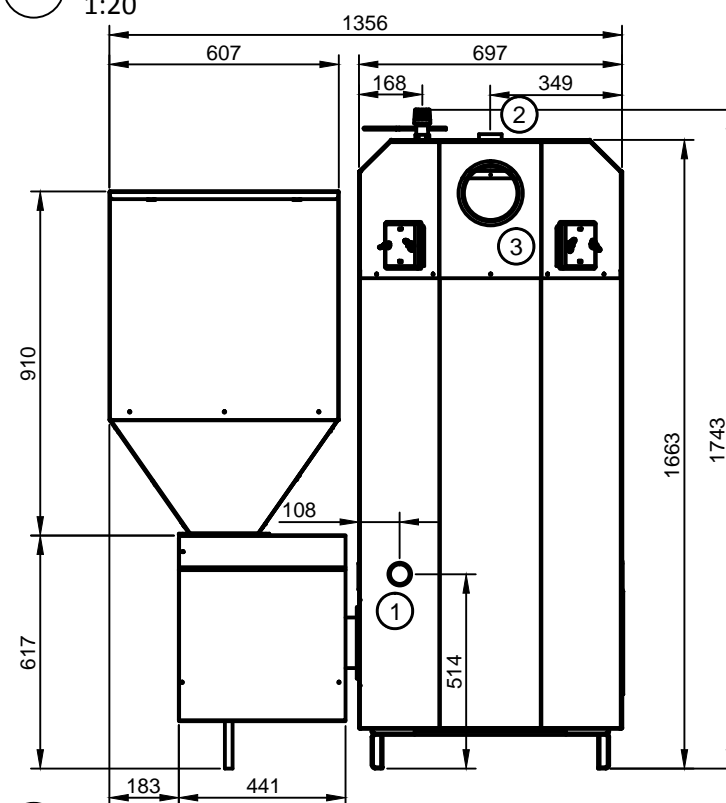
RIGHT VIEW
1:20



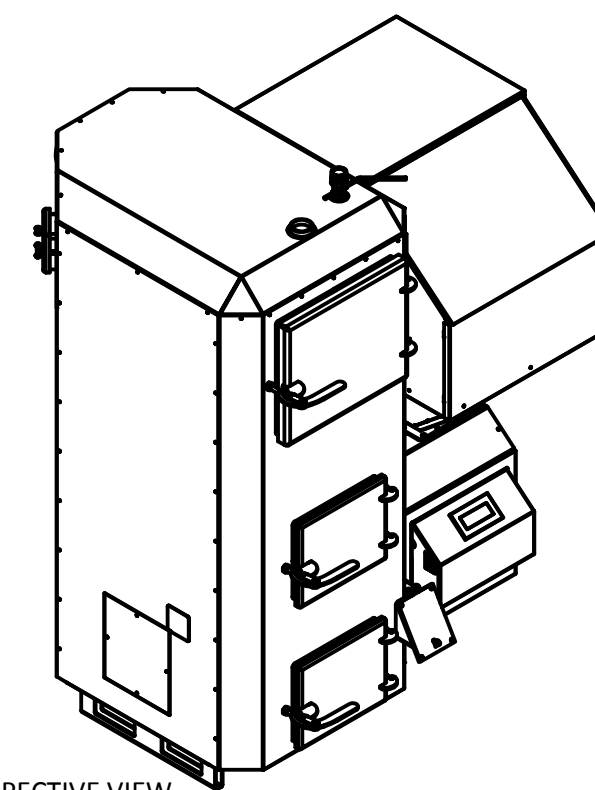
LEFT VIEW
1:20



FRONT VIEW
1:20



BACK VIEW
1:20



PERSPECTIVE VIEW
Not to scale

Equipment/Fitting Layout		
No.	Name	Description
1	Return	Return Hot Water Ø60
2	Supply	Supply Hot Water Ø60
3	Flue	Ø150
4		
5		
6		

Notes:

Nominal power:	40	kW
Efficiency (with wood pallets)%, (+3/-5):	85	%
Efficiency (with firewood)%, (+3/-5):	70	%
Operational water pressure of the boiler	0.1 (1)	MPa(kg/cm ²)
Minimum water pressure of the boiler at a temperature of 90 °C	0.05 (0.5)	MPa(kg/cm ²)
Operational temperature of the boiler:	70-90	°C
Minimum temperature of exiting flue gases:	110	°C
Air consumption for burning of fuel material:	<50	m ³ /h
Area of the heating surface of flue gases:	1.8	m ²
Volume of water in the boiler:	120	Litres
Weight of the boiler (w/o the reservoir):	350	kg

Manufactured by:



"GRANDEG" SIA
Valdemara street 99a, Ainazi,
LV- 4035, Latvia
info@grandeg.lv
www.grandeg.lv
SWIFT: HABALV22
Account: LV91HABA0001408034290

Equipment:
BOILER

Sheet no:
BIO-40_001

System:
MECHANICAL

Scale:
1:20

Module Type-No:

GD-BIO-40