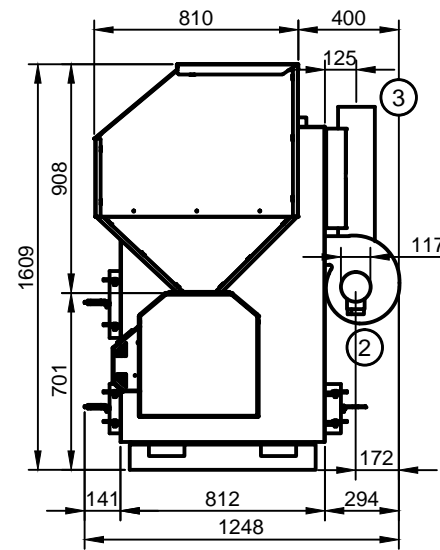
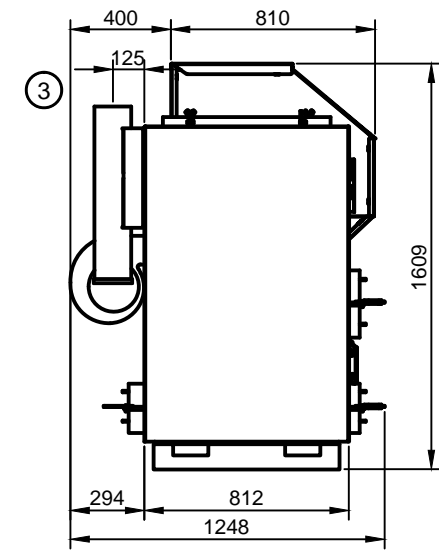


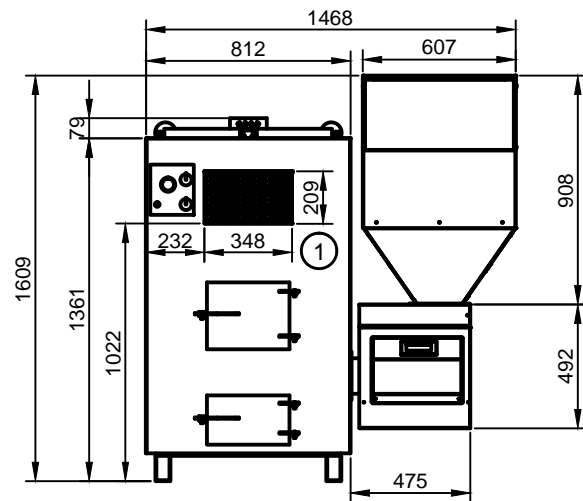
PLAN VIEW
1:30



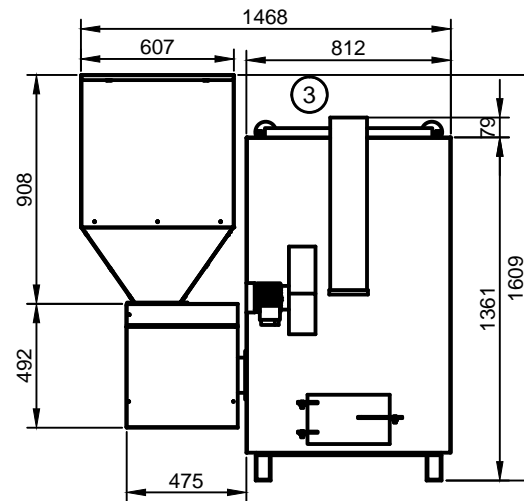
RIGHT VIEW
1:30



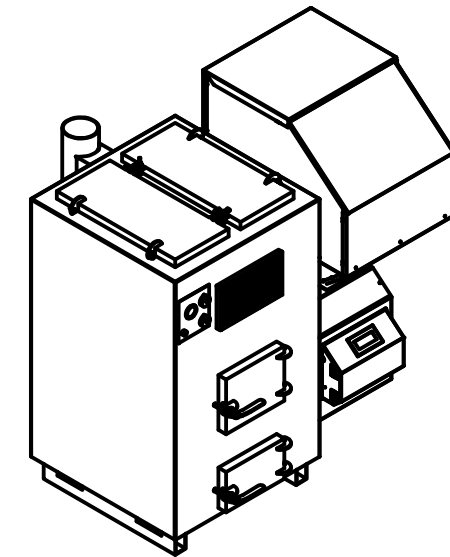
LEFT VIEW
1:30



FRONT VIEW
1:30



BACK VIEW
1:30



PERSPECTIVE VIEW
Not to scale

Equipment/Fitting Layout		
No.	Name	Description
1	Return	Return Hot Air
2	Supply	Supply Hot Air
3	Flue	Ø146
4		
5		
6		

Notes:		
Heat generation capacity:	40	kW
Heating air Δt° :	150	C°
Size of the flue pipe for the boiler:	150	Ø mm
Volume of heated air:	800	m ³ /h
Voltage of the electricity cennection:	230	V
Current:	4.5	A
El. capacity:	5.5	kW

Manufactured by:



"GRANDEG" SIA
Valdemara street 99a, Ainazi,
LV- 4035, Latvia
info@grandeg.lv
www.grandeg.lv
SWIFT: HABALV22
Account: LV91HABA0001408034290

Equipment: BOILER
Sheet no: AIR-40_001

System: MECHANICAL
Scale: 1:30

Module Type-No: GD-AIR-40