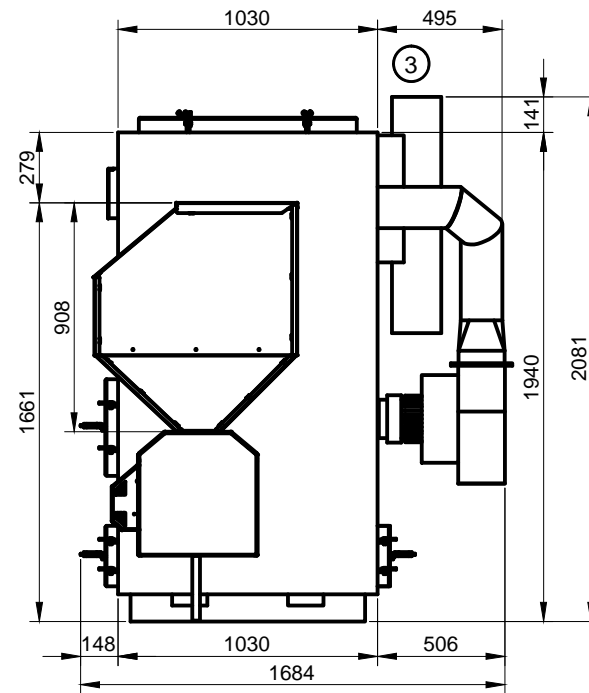
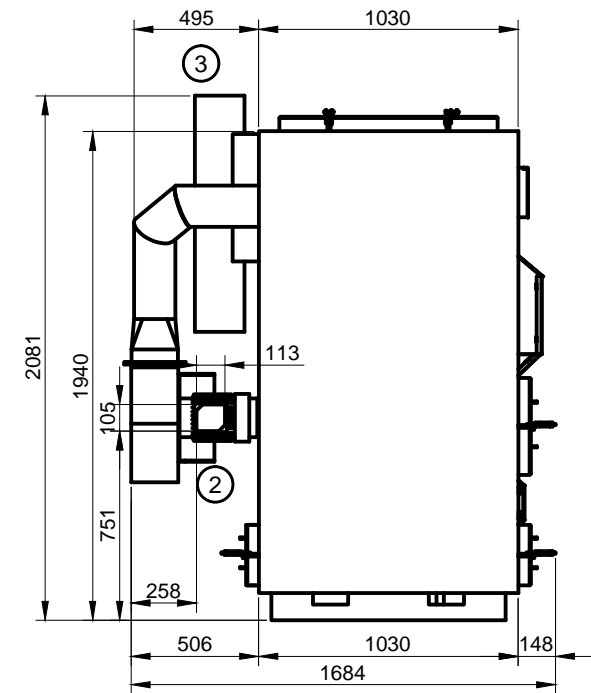


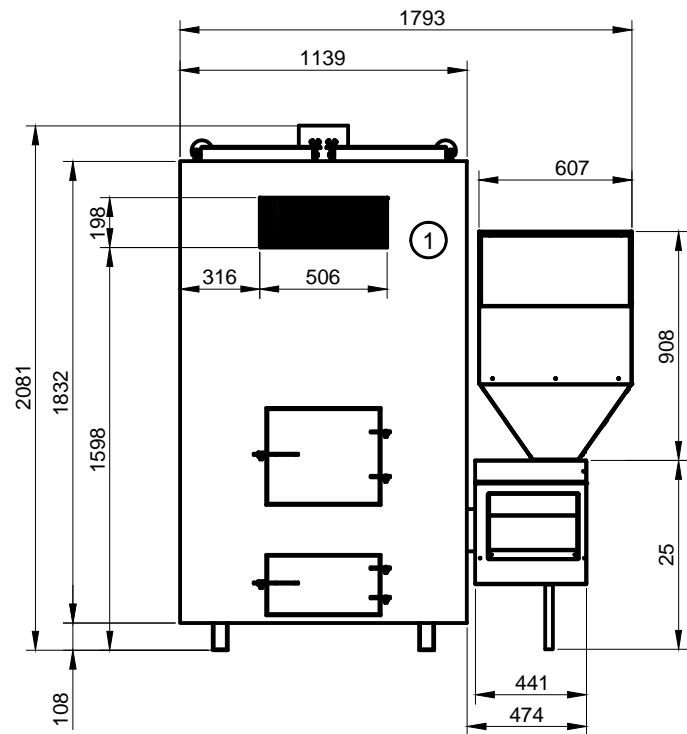
PLAN VIEW  
1:30



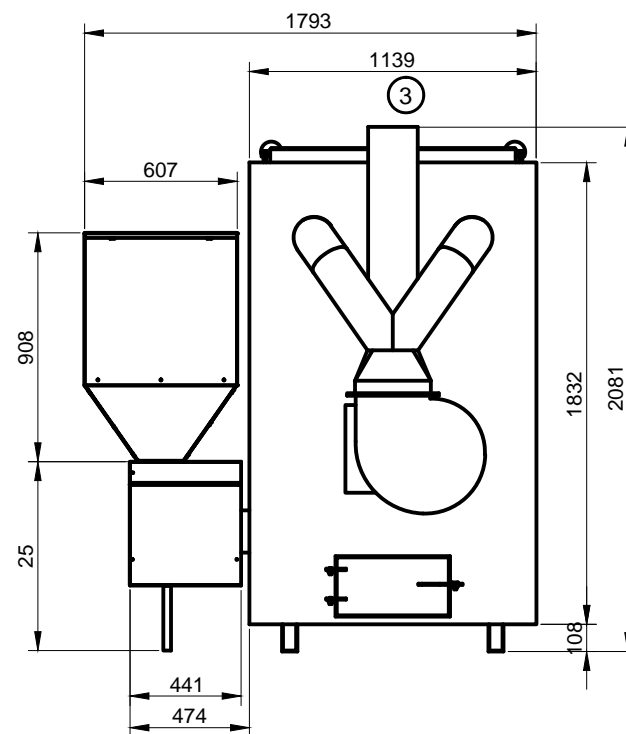
RIGHT VIEW  
1:30



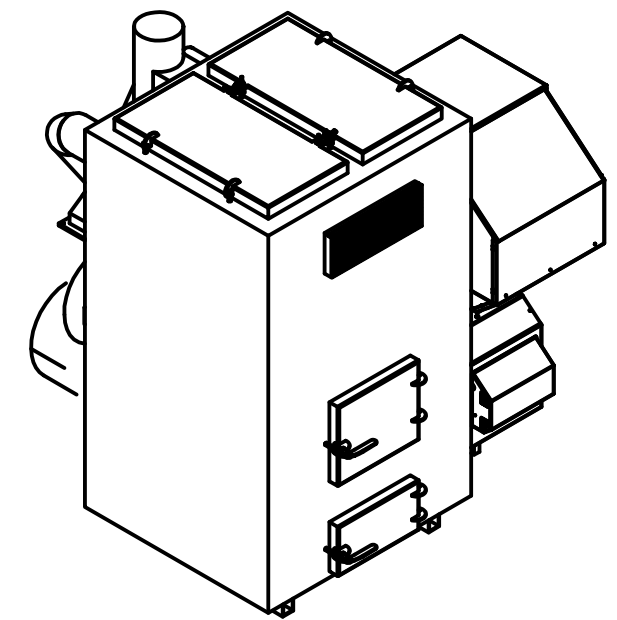
LEFT VIEW  
1:30



FRONT VIEW  
1:30



BACK VIEW  
1:30



PERSPECTIVE VIEW  
Not to scale

Equipment/Fitting Layout		
No.	Name	Description
1	Return	Return Hot Air
2	Supply	Supply Hot Air
3	Flue	Ø196
4		
5		
6		

Notes:		
Heat generation capacity:	100	kW
Heating air $\Delta t^\circ$ :	150	C°
Size of the flue pipe for the boiler:	200	Ø mm
Volume of heated air:	1900	m <sup>3</sup> /h
Voltage of the electricity cennection:	380	V
Current:	15.6	A
El. capacity:	5.7	kW

Manufactured by:



"GRANDEG" SIA  
Valdemara street 99a, Ainazi,  
LV- 4035, Latvia  
info@grandeg.lv  
www.grandeg.lv  
SWIFT: HABALV22  
Account: LV91HABA0001408034290

Equipment: BOILER  
Sheet no: AIR-100\_001

System: MECHANICAL  
Scale: 1:30

Module Type-No:  
GD-AIR-100